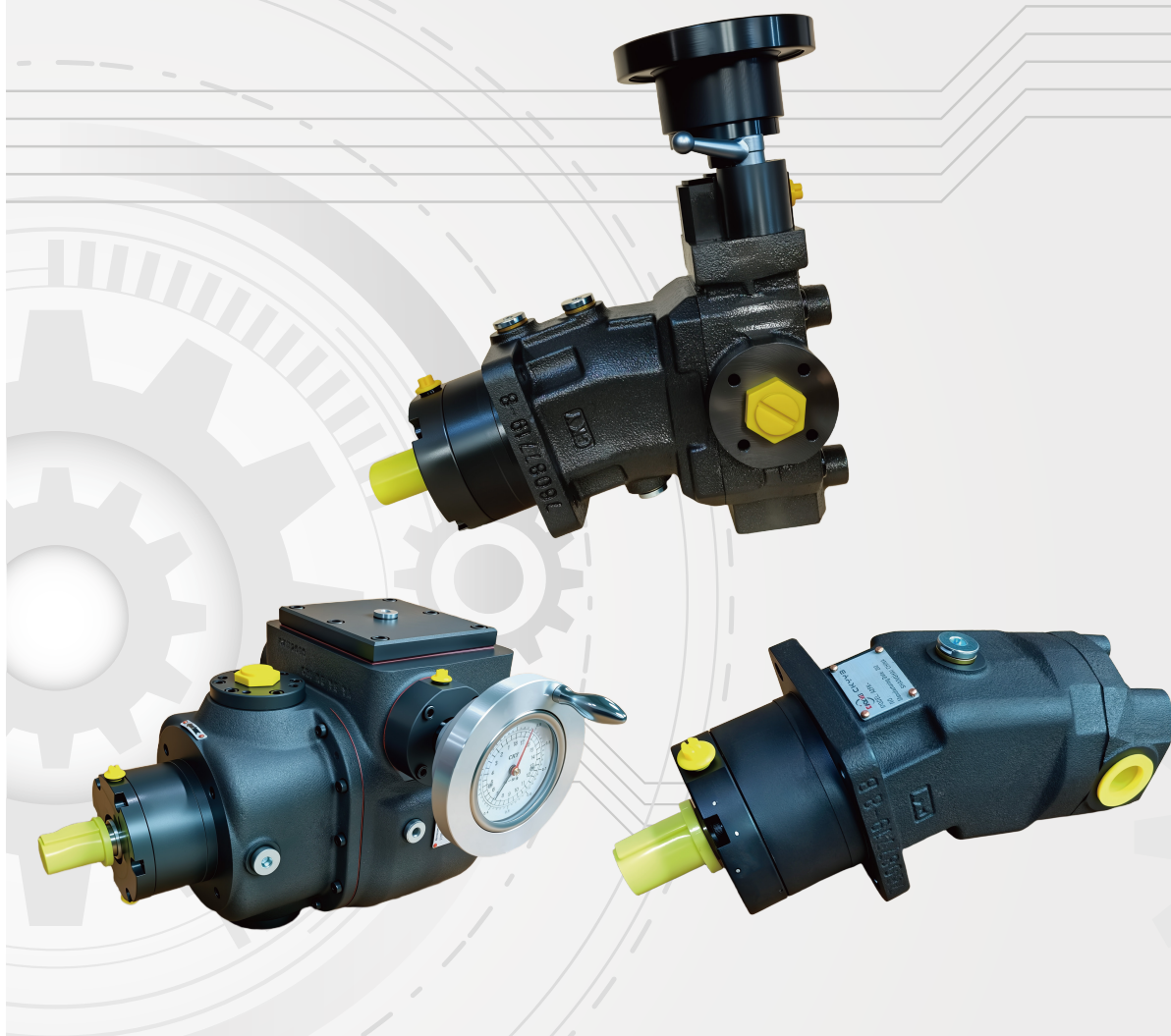


质量第一
信誉至上

QUALITY FIRST / REPUTATION FIRST



驰克液压泵(上海)有限公司
上海灵港液压泵制造有限公司

Chike Hydraulic Pump (Shanghai) Co., Ltd.

Shanghai Linggang Hydraulic Pump Manufacturing Co., Ltd.

我司通过ISO9001-2015质量管理体系认证

公司简介

驰克液压泵(上海)有限公司、上海灵港液压泵制造有限公司, 注册在上海海港综合经济开发区, 创建于一九八八年, 她的前身是上海液压泵厂分厂, 生产销售液压泵、油马达、液压成套等产品, 是集生产、经营、维修为一体的实体公司。

生产的多种型号规格斜轴式轴向柱塞定量泵, 油马达及斜轴式轴向柱塞变量泵, 可广泛应用于建筑、工程机械、冶金矿山设备、石油、铁道、船舶、塑料加工、轻工、机床、聚氨酯高低压发泡机设备等机械的开式、闭式液压系统。

公司以质量和信誉视为生命的质量方针, 一切为用户着想, 为用户提供优质产品和满意的售后服务。

Company Profile

Chike Hydraulic Pump (Shanghai) Co., Ltd. / Shanghai Linggang Hydraulic Pump Manufacturing Co., Ltd.

Registered in the Shanghai Seaport Comprehensive Economic Development Zone, the company was founded in 1988. Its predecessor was the branch plant of Shanghai Hydraulic Pump Factory. Specializing in the production and sales of hydraulic pumps, hydraulic motors, and complete hydraulic systems, it operates as an integrated entity engaged in manufacturing, trading, and maintenance services.

The company manufactures various models and specifications of fixed displacement bent axis axial piston pumps, hydraulic motors, and variable displacement bent axis axial piston pumps. These products are widely applicable in open and closed hydraulic systems across industries including: Construction, engineering machinery, metallurgical & mining equipment, petroleum, railways, marine vessels, plastic processing, light industry, machine tools, and polyurethane foam injection machines (high/low pressure).

Upholding a quality philosophy that regards quality and credibility as its lifeblood, the company prioritizes customer needs and is committed to providing superior products and satisfactory after-sales service.



A2VK/A2FK/A7VK计量泵工作原理、用途及特点

工作原理 Working Principle

泵的作用是将机械能转变为液压能。通过连杆柱塞带动缸体旋转,此时缸体内的柱塞孔发生容积变化。介质经配流盘的高压窗口从泵的排出口排出。

Pump is the role of mechanical energy into hydraulic energy. Driven by the rotating cylinder through the connecting rod plunger, the plunger hole cylinder volume change occurs. The medium is discharged from the discharge port of the pump with high pressure valve plate of the window.

用途 Applications

高压轴向柱塞泵, 该泵主要用于泵送和计量聚氨酯类液体

A high-pressure axial piston pump, primarily used for pumping and metering polyurethane liquids.

特点 Features

各种流量的计量精度重复性高

High metering accuracy and reproducibility of the variable pumped volumes

通过带内装精确测量刻度的手轮进行手动调节流量, 调节准确, 运行平稳

Robust manual adjustment via handwheel with integral precision measuring scale

工作压力可到25Mpa

Operating pressure up to 250bar

进口压力低, 可泵送高粘度液体

Low suction pressure, even when pumping high viscosity materials

流量脉动小, 容积效率高

Excellent volumetric efficiency for high metering accuracy

技术参数/安装位置 Technical Data/Installs the position

泵与电动机的联接采用弹性联轴器, 联接同轴度不应超过0.1mm。

A flexible coupler is adopted to connect the pump and the prime moter, with coaxiality no more than 0.1 mm.

安装泵时必须使泄漏油口处于最高位置, 泄漏油管必须高于泵的最高点, 以保证泵壳内充满油液或供油管外径尺寸加大。

The leakage oil port shall be located on the highest place during installation, and the leakage oil tube shall be higher than the highest point of the pump to ensure the pump is filled with oil.

工作压力范围 Working pressure range

进口侧 Input

开式回路: 吸油口S处为0.1-0.3MPa绝对压力

Filling pressure at the port S: 0.1-0.3Mpa

出口侧(油口A或B的压力) Output (Maximum pressure at port A or B)

公称压力 PN: 25MPa

Nominal pressure PN: 25MPa

峰值压力 Pmax: 32MPa

Peak value pressure Pmax: 32MPa

A2VK 系列斜轴式轴向柱塞变量泵

Axial Piston Variable Pump- A2VK

A2VK 系列斜轴式轴向柱塞变量泵是通过手轮控制方式进行任意调节,并配置变量显示,实现精确的计量。这对于某种场合的使用,显得特别方便。手轮的安装位置分左面或右面,用户可根据自己的需要进行选择,A2VK系列产品是适用于使用粘度较高介质的液压系统,如油脂类和聚氨酯等介质。

The A2VK Series Bent Axis Variable Displacement Pumps feature handwheel control for infinite adjustment, equipped with a stroke indicator to achieve precise metering. This design offers exceptional convenience for specific operational requirements. The handwheel can be installed on either the left or right side, allowing users to select the configuration based on their needs. A2VK series pumps are specially suited for hydraulic systems operating with high-viscosity media (such as greases and polyurethane), ensuring reliable performance in demanding applications.



技术参数 Technical Data

| 规格 Specification | | A2VK-5 | A2VK-12 | A2VK-28 | A2VK-55 | A2VK-107 | A2VK-225 |
|----------------------------------------------------------|------------------------------|--------|---------|---------|---------|----------|----------|
| 理论排量 cm ³ /r Displacement | | 4.93 | 11.6 | 28.1 | 54.8 | 107 | 225.1 |
| 转速 r/min Rotational Speed | 额定 n _N Rated | 1450 | 1450 | 1450 | 1450 | 1450 | 1450 |
| | 最高 n _N Maximum | — | — | — | — | — | — |
| 压力 MPa Pressure | 额定 P _N Rated | 25 | 25 | 25 | 25 | 25 | 25 |
| | 最高 P _N Maximum | 31.5 | 31.5 | 31.5 | 31.5 | 31.5 | 31.5 |
| 输入功率 (kW) n=1450r/min P=P _N Input Power | | 5 | 5.5 | 11 | 22 | 43 | 75 |
| 质量 kg Mass | (手动控制) (Manual Control) | 21 | 22 | 36 | 64 | 117 | 230 |

A2VK 系列斜轴式轴向柱塞变量泵

Axial Piston Variable Pump- A2VK

型号说明 Demonstration Of The Type

A2V K 28 MA H R P 1 1 S02

泵类型
Pump Type

斜轴式变量泵
Bent Axis Variable Pump

介质
Hydraulic Fluids

较高粘度介质
High Viscosity Fluids

规格
Specification

公称排量
Nominal Capacity

5 12 28 55 107 225

控制方式
Control Mode

手动控制
Manual Operated

MA

进油方式
Oil Feed Mode

壳体内进油
Hiding Mode

H

耳轴进油
Trunnion-oiled

G

(自吸)
(Self-suck)

防腐型号
Corrosion-resistant model

手轮位置
Handwheel Position

右侧 0 左侧 1
Right Left

(从轴端看)
(View From The End Of Axis)

流量调节形式
Flow Control Type

单向 I
Unidirectional

输出轴形式
Output Shaft Model

平键 P
Parallel Key

旋转方向
Rotation Direction

右旋 R
Right

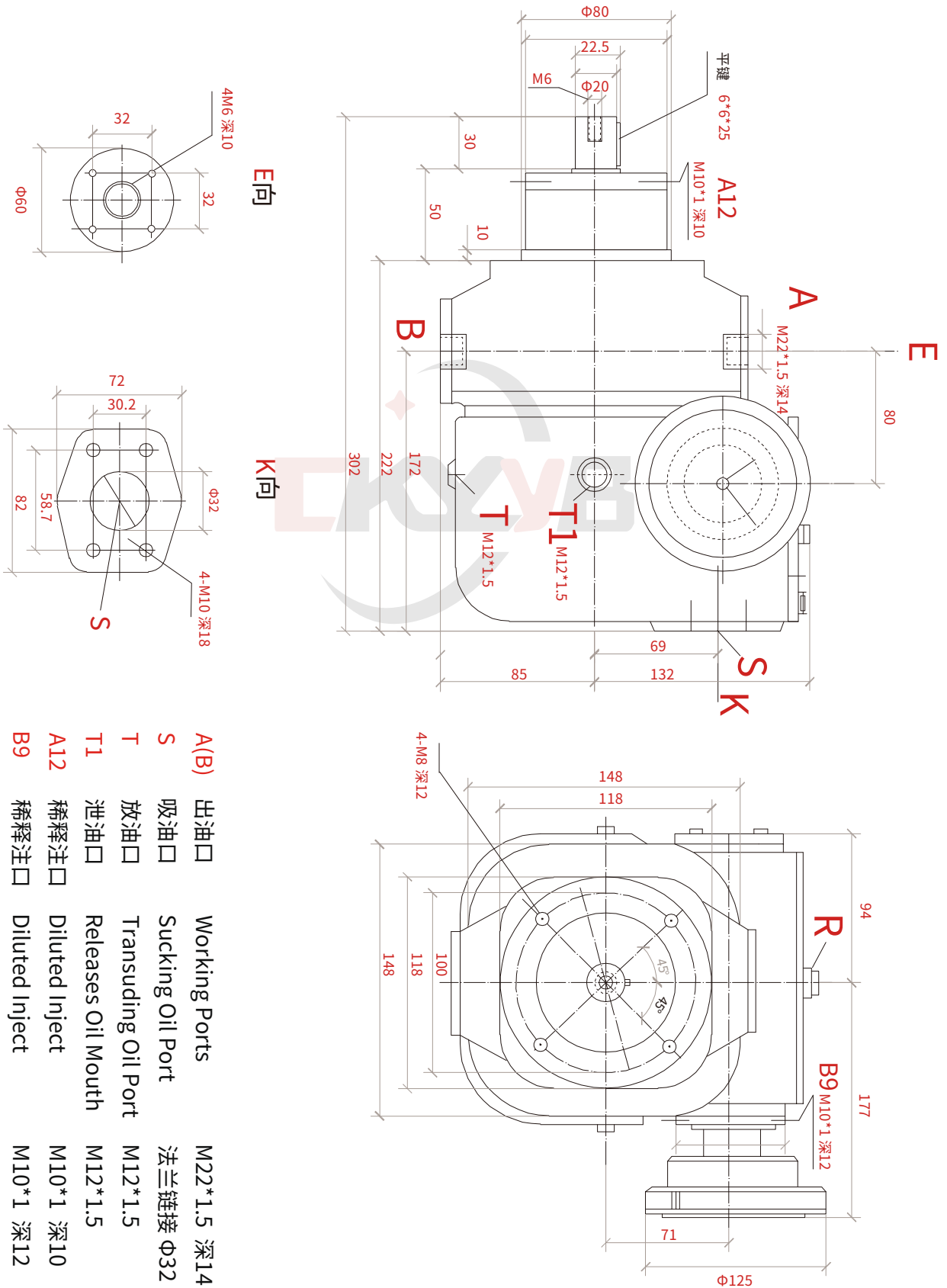
左旋 L
Left

(从轴端看)
(View From The End Of Axis)



A2VK-5/12外形尺寸

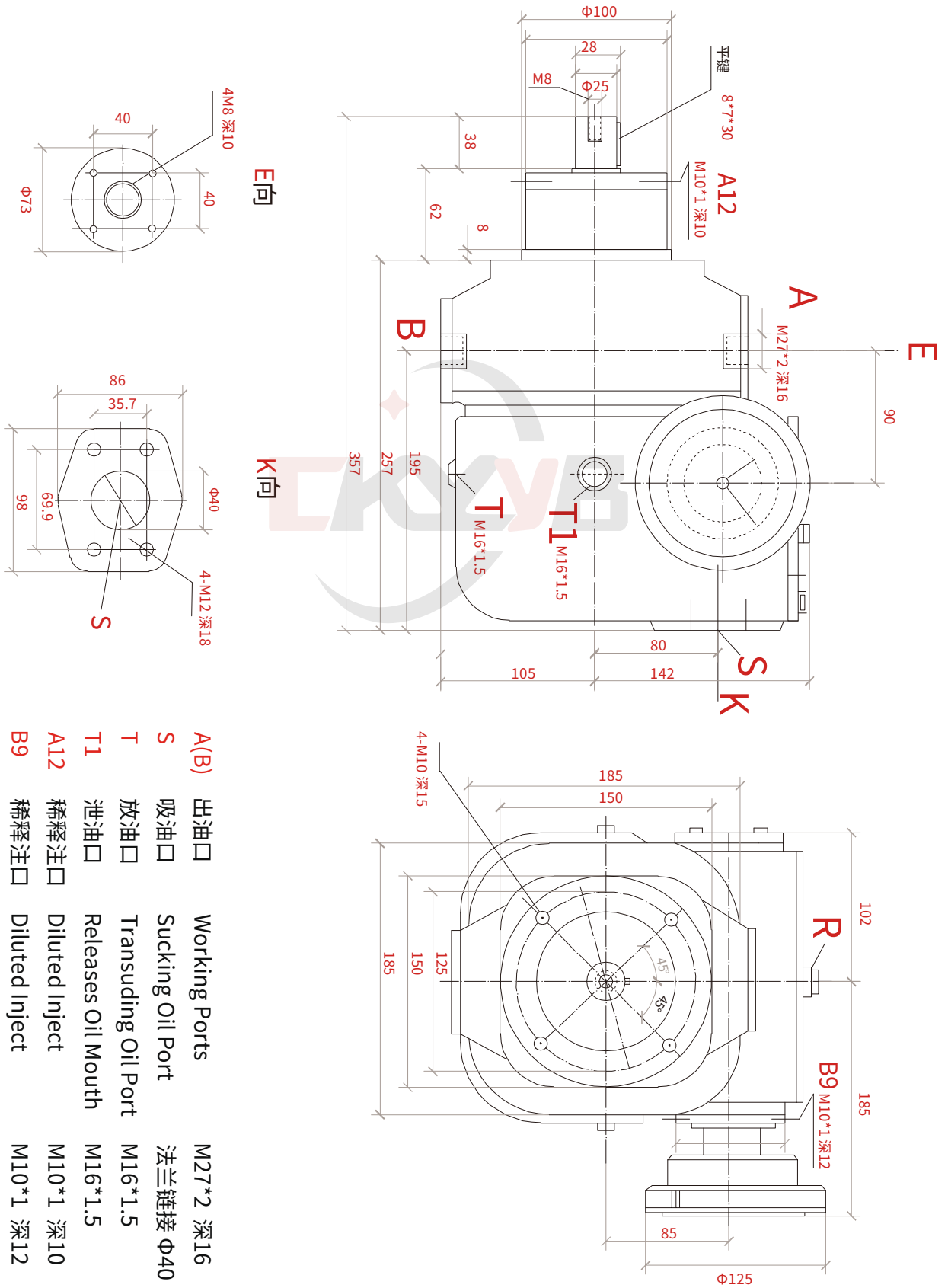
Dimensions of A2VK-5/12



| | | | |
|------|------|---------------------|----------------|
| A(B) | 出油口 | Working Ports | M22*1.5 深14 |
| S | 吸油口 | Sucking Oil Port | 法兰链接 $\Phi 32$ |
| T | 放油口 | Transuding Oil Port | M12*1.5 |
| T1 | 泄油口 | Releases Oil Mouth | M12*1.5 |
| A12 | 稀释注口 | Diluted Inject | M10*1 深10 |
| B9 | 稀释注口 | Diluted Inject | M10*1 深12 |
| R | 泄气口 | Air Bleed | M12*1.5 |

A2VK-28外形尺寸

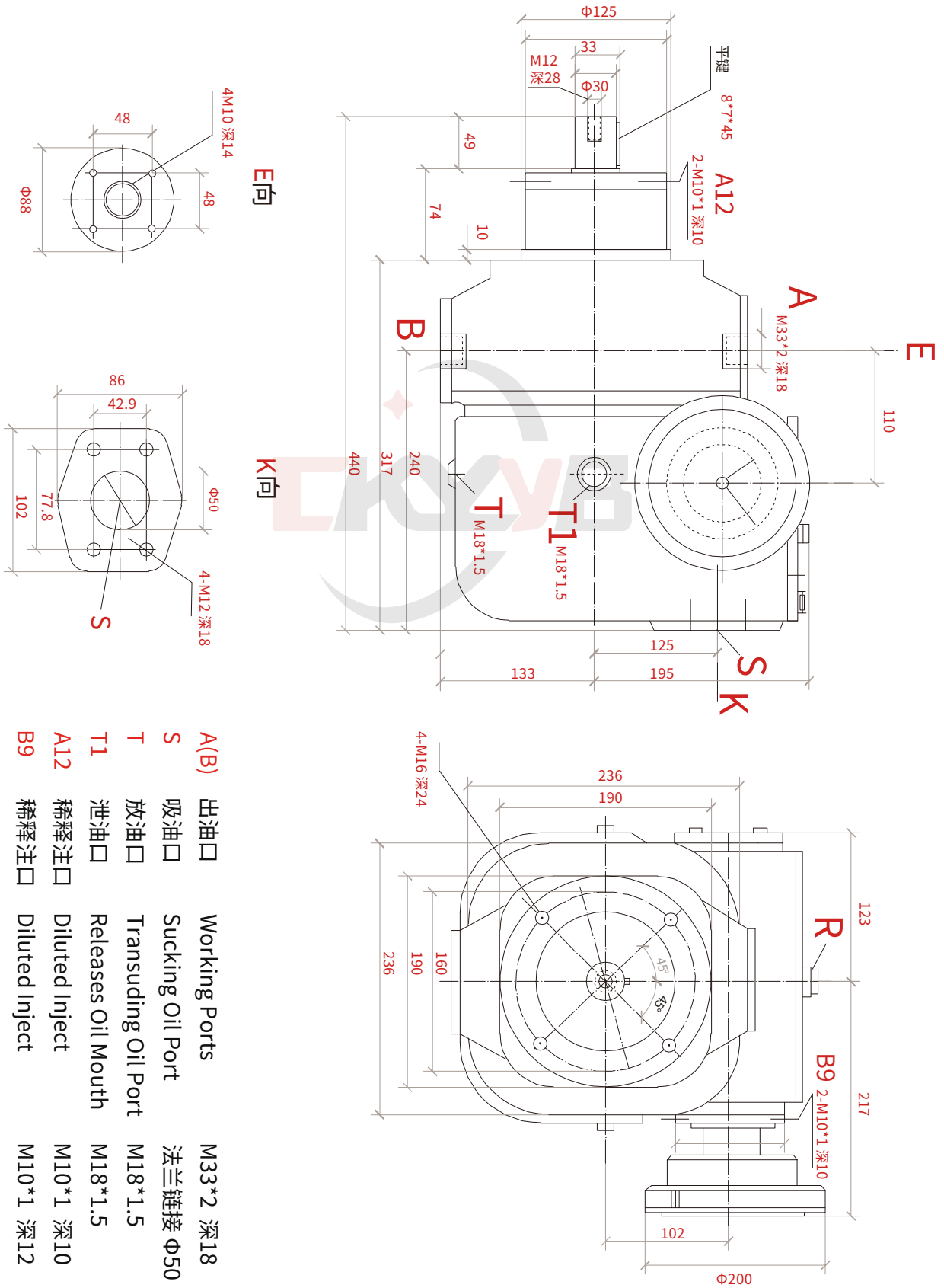
Dimensions of A2VK-28



| | | | |
|-------------|------|---------------------|-----------|
| A(B) | 出油口 | Working Ports | M27*2 深16 |
| S | 吸油口 | Sucking Oil Port | 法兰链接 Φ40 |
| T | 放油口 | Transuding Oil Port | M16*1.5 |
| T1 | 泄油口 | Releases Oil Mouth | M16*1.5 |
| A12 | 稀释注口 | Diluted Inject | M10*1 深10 |
| B9 | 稀释注口 | Diluted Inject | M10*1 深12 |
| R | 泄气口 | Air Bleed | M12*1.5 |

A2VK-55外形尺寸

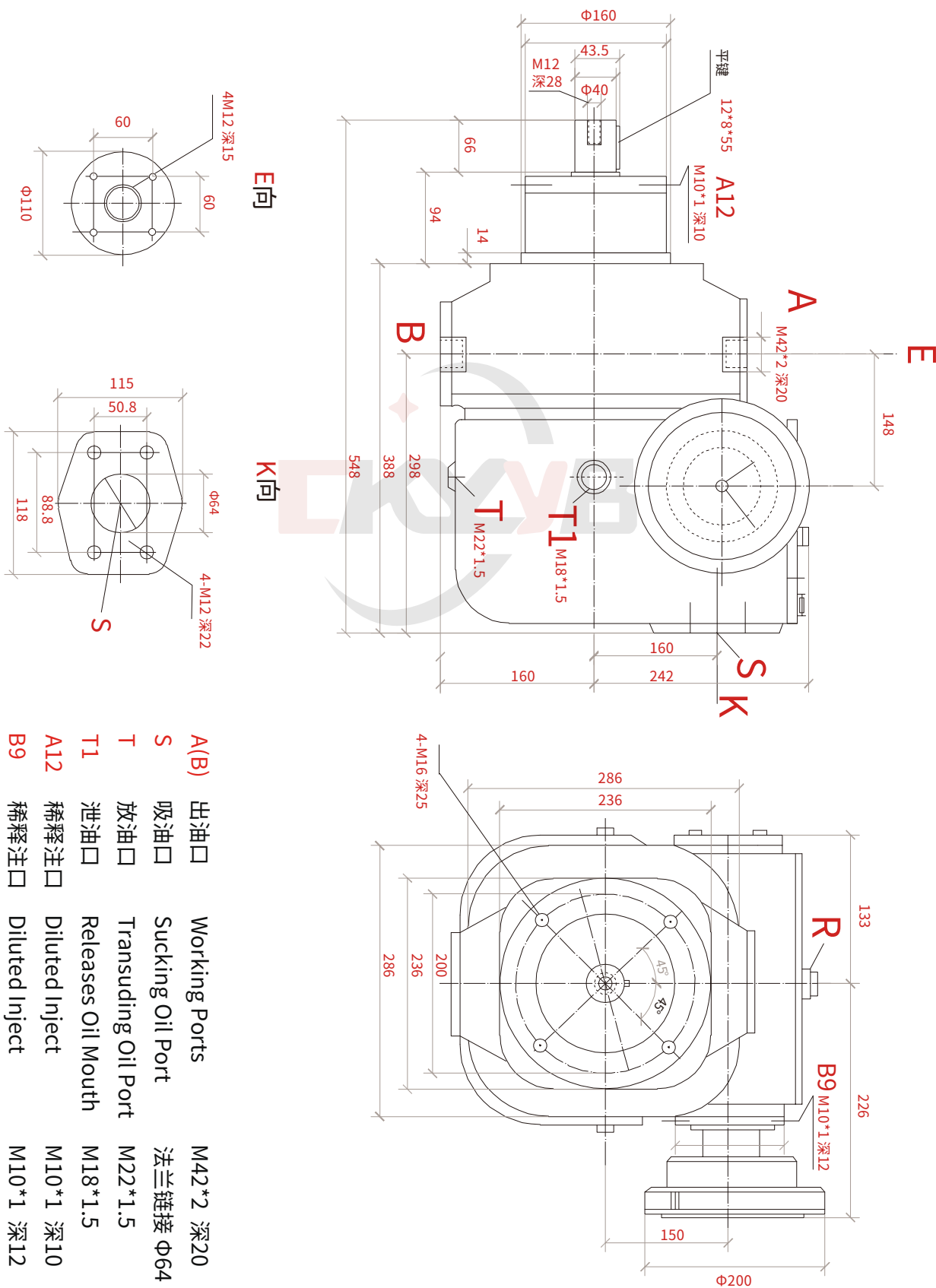
Dimensions of A2VK-55



| Label | Chinese Description | English Description | Dimensions |
|-------|---------------------|---------------------|----------------|
| A(B) | 出油口 | Working Ports | M33*2 深18 |
| S | 吸油口 | Sucking Oil Port | 法兰链接 $\Phi 50$ |
| T | 放油口 | Transuding Oil Port | M18*1.5 |
| T1 | 泄油口 | Releases Oil Mouth | M18*1.5 |
| A12 | 稀释注口 | Diluted Inject | M10*1 深10 |
| B9 | 稀释注口 | Diluted Inject | M10*1 深12 |
| R | 泄气口 | Air Bleed | M12*1.5 |

A2VK-107外形尺寸

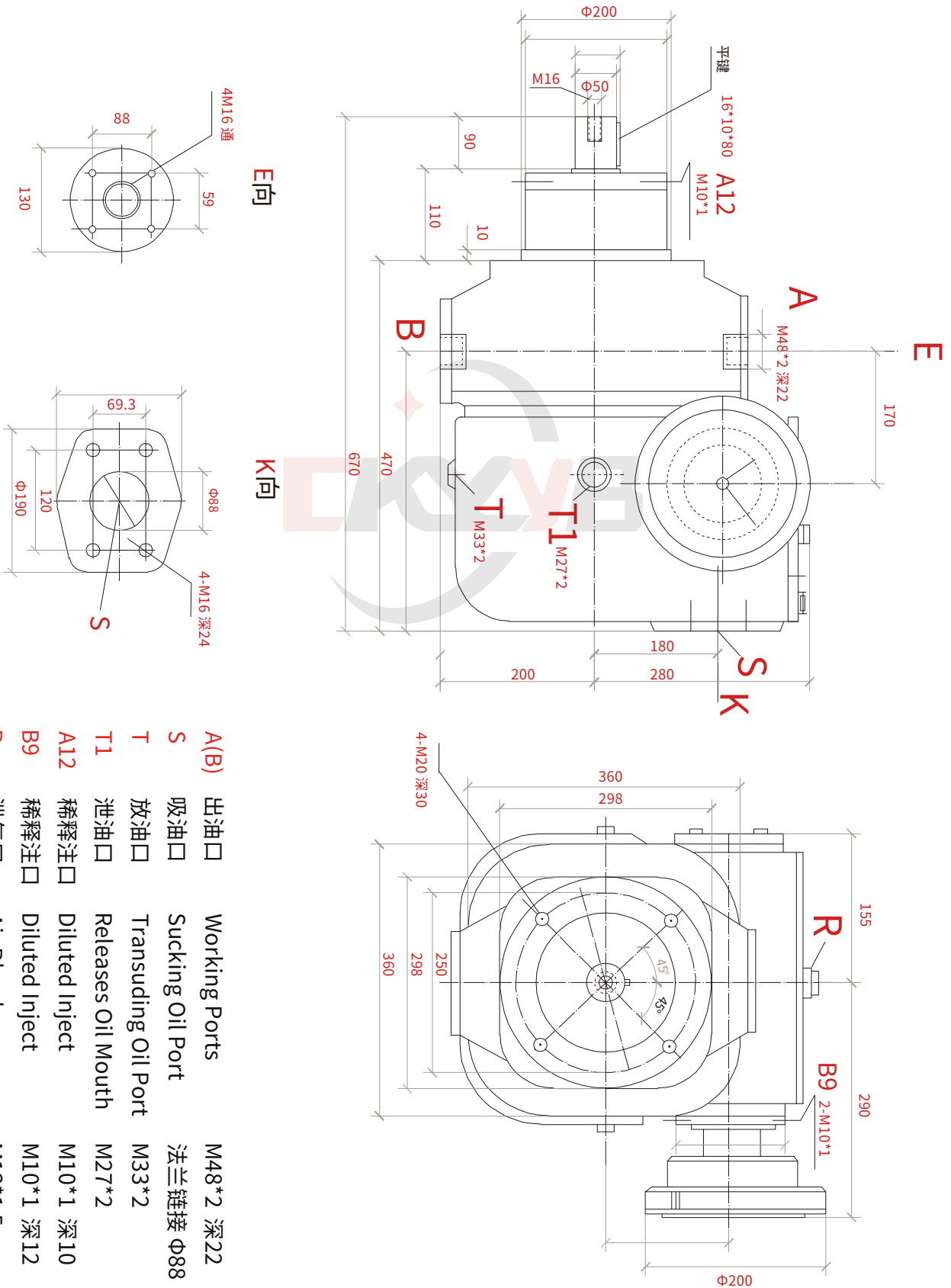
Dimensions of A2VK-107



| | | | |
|------|------|---------------------|-----------|
| A(B) | 出油口 | Working Ports | M42*2 深20 |
| S | 吸油口 | Sucking Oil Port | 法兰链接 Φ64 |
| T | 放油口 | Transuding Oil Port | M22*1.5 |
| T1 | 泄油口 | Releases Oil Mouth | M18*1.5 |
| A12 | 稀释注口 | Diluted Inject | M10*1 深10 |
| B9 | 稀释注口 | Diluted Inject | M10*1 深12 |
| R | 泄气口 | Air Bleed | M12*1.5 |

A2VK-225外形尺寸

Dimensions of A2VK-225



| | | | |
|------|------|---------------------|-----------|
| A(B) | 出油口 | Working Ports | M48*2 深22 |
| S | 吸油口 | Sucking Oil Port | 法兰链接 Φ88 |
| T | 放油口 | Transuding Oil Port | M33*2 |
| T1 | 泄油口 | Releases Oil Mouth | M27*2 |
| A12 | 稀释注口 | Diluted Inject | M10*1 深10 |
| B9 | 稀释注口 | Diluted Inject | M10*1 深12 |
| R | 泄气口 | Air Bleed | M12*1.5 |

A2F/K 系列斜轴式轴向柱塞定量泵/马达

Axial Piston Fixed Pump/Motor- A2F/K

A2F/K 系列斜轴式轴向柱塞定量泵/马达是目前国内外较先进的液压元件。它与国外相同型号、规格的产品能完全互换，A2F/K系列斜轴式定量泵/马达是一种可逆元件，配以不同的配流盘和后盖，可满足各种液压系统的需要。因此它广泛应用于冶金、矿山、石油、建筑、工程机械、铁道、船舶、塑料加工、轻工、机床、聚氨酯发泡机等机械的开式、闭式液压系统。

A2F/K series of bent axis constant pump/motor are advanced hydraulic components at home and abroad, They can interchange completely with the overseas products which have the same type and same specification, A2F/K series of bent axis constant pump/motor are reversible components; They can meet needs of all kinds of hydraulic systems by installing different valve plate and back plate, So they can be widely used in metallurgical, mine, petroleum, architecture, engineering machinery, railways, shipping ship building, plastics processing, light industry, machine tools, polyurethane foaming machine, machinery open, closed hydraulic system.



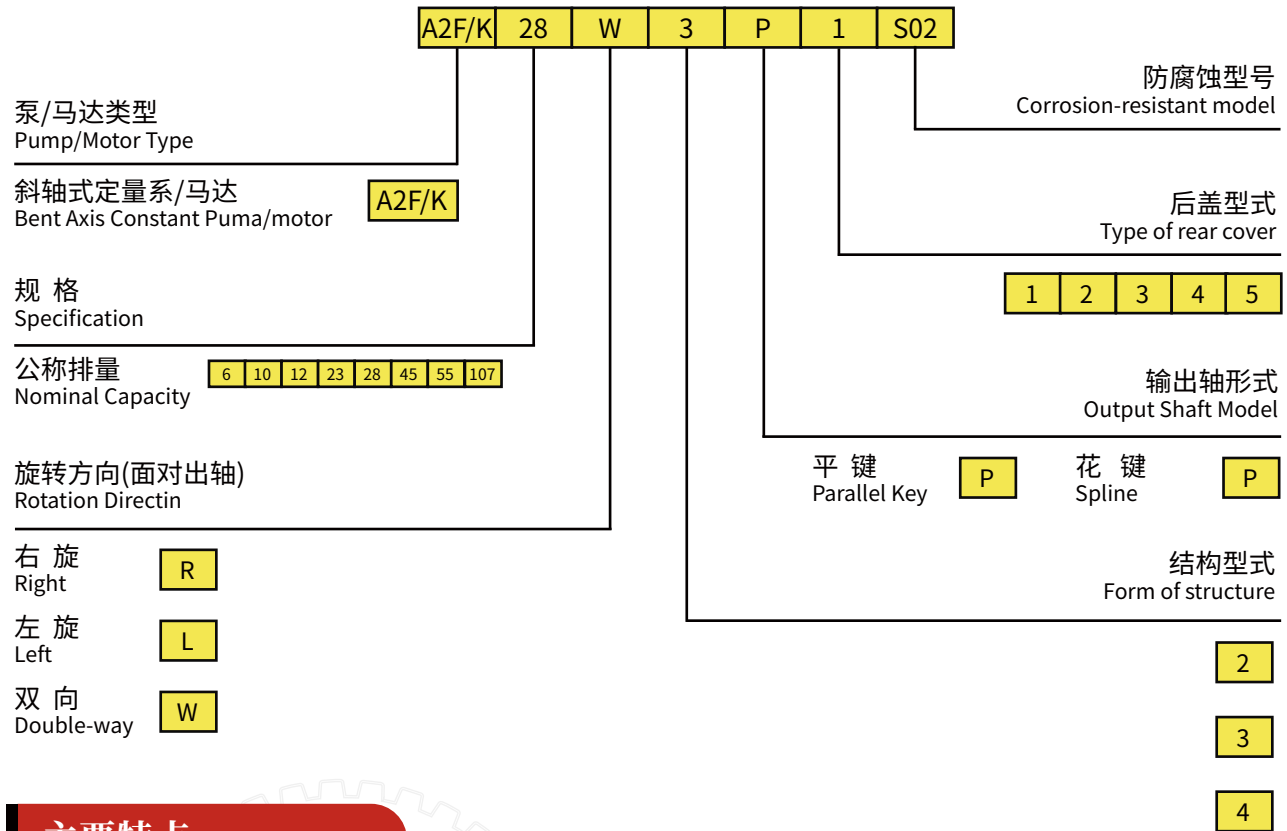
技术参数 Technical Data

| 规格 Specification | 6 | 10 | 12 | 23 | 28 | 55 | 107 |
|----------------------------------------------------------|------------------------------|------|------|------|------|------|------|
| 理论排量 cm ³ /r Displacement | 6.2 | 9.4 | 11.6 | 22.7 | 28.1 | 54.8 | 107 |
| 最高转速 r/min Maximum Rotational Speed | 额定 n _N Rated | 1450 | 1450 | 1450 | 1450 | 1450 | 1450 |
| | | | | | | | |
| 压力 MPa Pressure | 额定 P _N Rated | 25 | 25 | 25 | 25 | 25 | 25 |
| | 最高 P _N Maximum | | | | | | |
| 输入功率 (kW) n=1450r/min P=P _N Input Power | 5.5 | 5.5 | 5.5 | 11 | 11 | 22 | 43 |
| 质量 kg Mass | 21 | 22 | 36 | 64 | 117 | 230 | 230 |

A2F/K 系列斜轴式轴向柱塞定量泵/马达

Axial Piston Fixed Pump/Motor- A2F/K

型号说明 Demonstration Of The Type



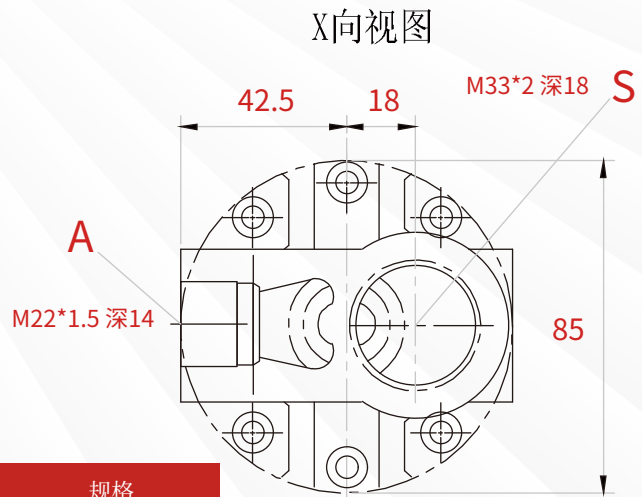
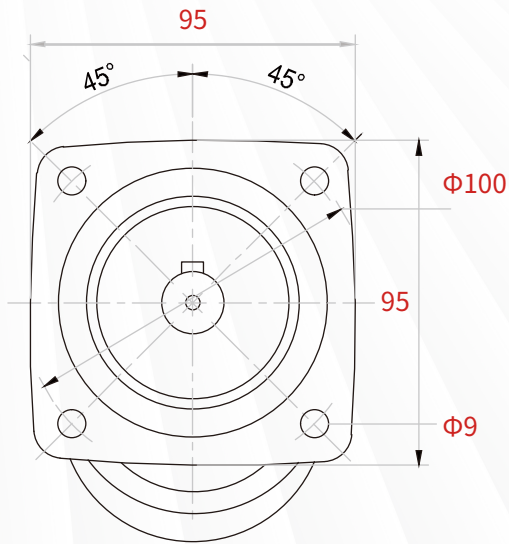
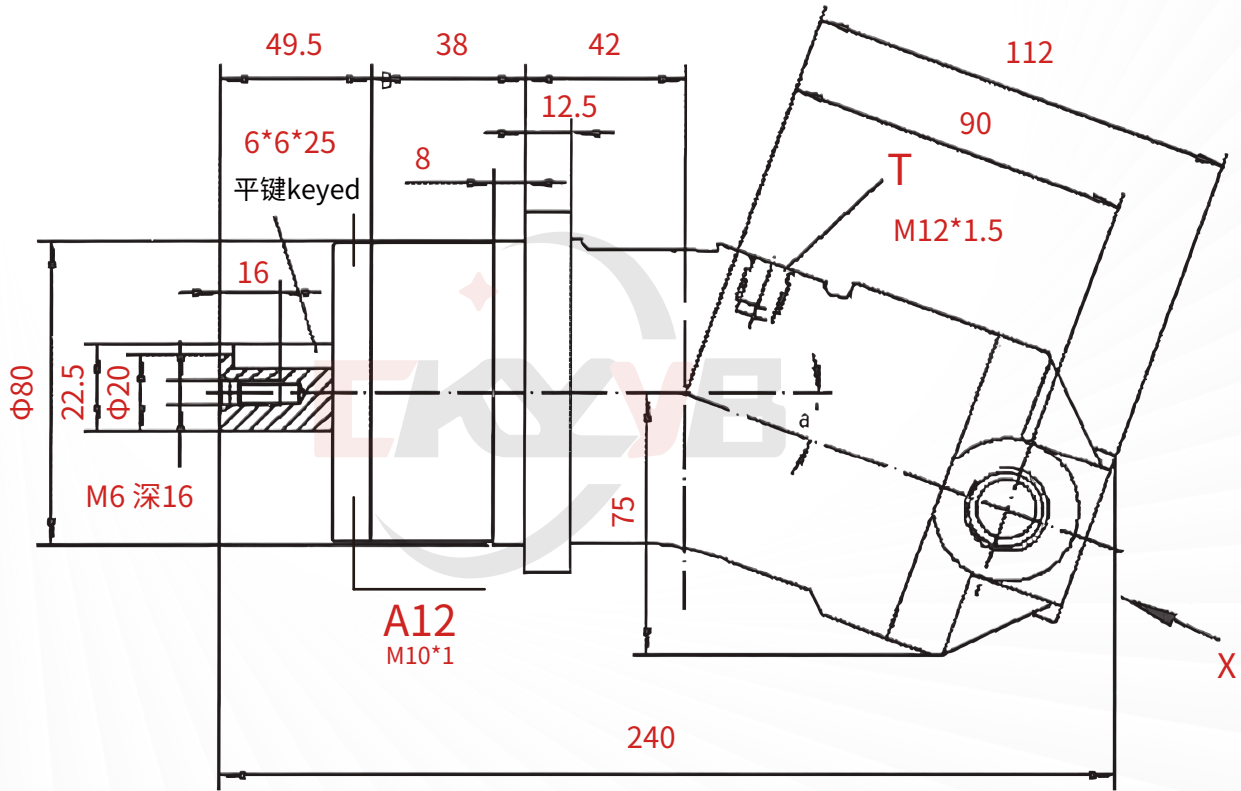
主要特点 Main features

1. 核心部件采用进口原材料, 寿命长, 稳定性高
2. 外形小巧, 结构紧凑
3. 工作压力可到25MPa
4. 进口压力低, 可泵送高粘度液体
5. 特殊化表面处理增加了防腐蚀保护
6. 流量脉动小, 容积效率高
7. 由特殊材料制成的双轴密封件和冲洗室, 易于损坏检查和环境保护

1. Key components are made of importedraw materials, ensuring long service lifeand high stability.
2. Compact and space-saving design.
3. Working pressure up to 25MPa.
4. Lowinlet pressure requirement, capable of pumping high-viscosityliquids.
5. Specializedsurface treatment enhances corrosionresistance.
6. Minimal flowpulsationand highvolumetric efficiency.
7. Dual-shaft seals and flushingchamber made of special materials, facilitatngdamage inspection and environmental protection.

A2FK-6/10/12外形尺寸

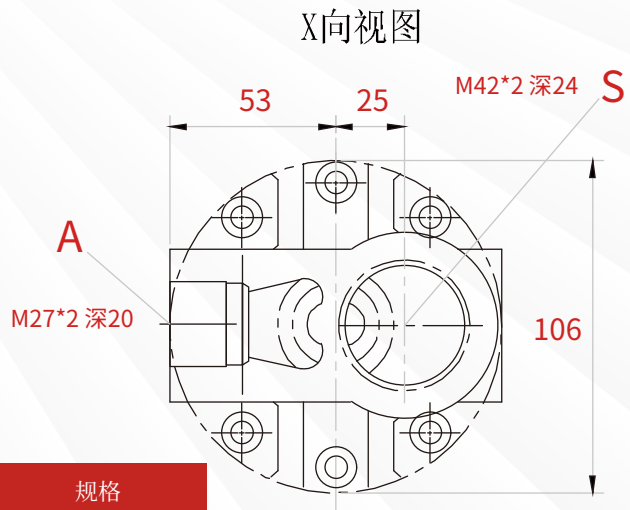
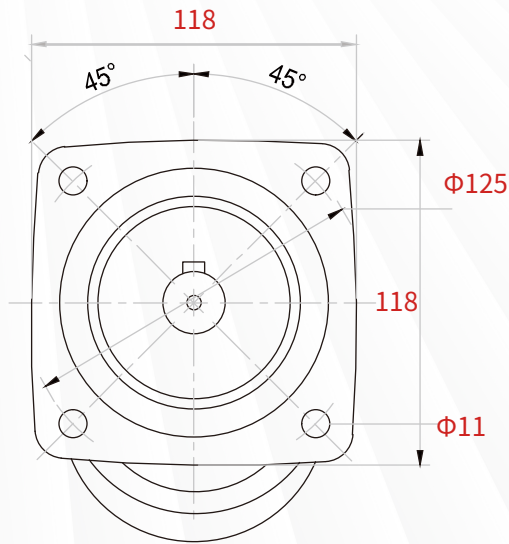
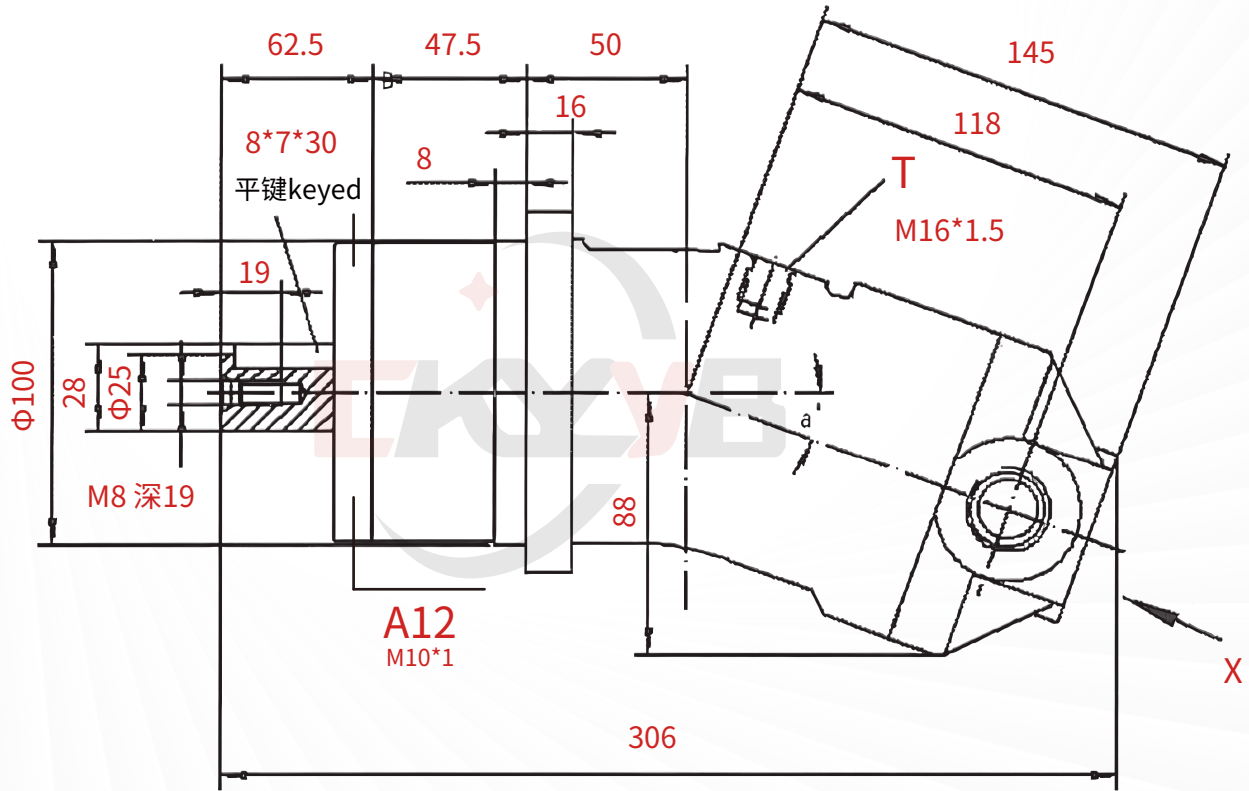
Dimensions of A2FK-6/10/12



| 名称 | 油口用途 | 规格 |
|-----|-------------|---------------------------------------------|
| A | 工作管路 (高压出口) | Working Line (High Pressure Outlet) M22*1.5 |
| S | 吸油 (进料口) | Suction (Inlet) M33*2 |
| T | 壳体泄油 | Case Drain M12*1.5 |
| A12 | 稀释注口 | Diluted Inject M10*1 |

A2FK-23/28外形尺寸

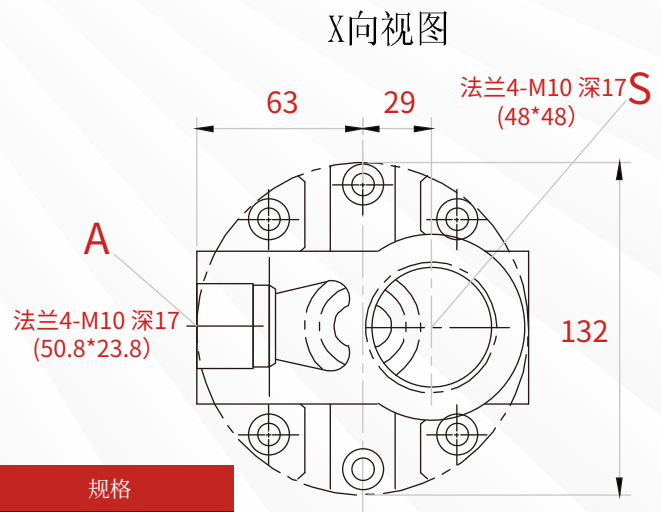
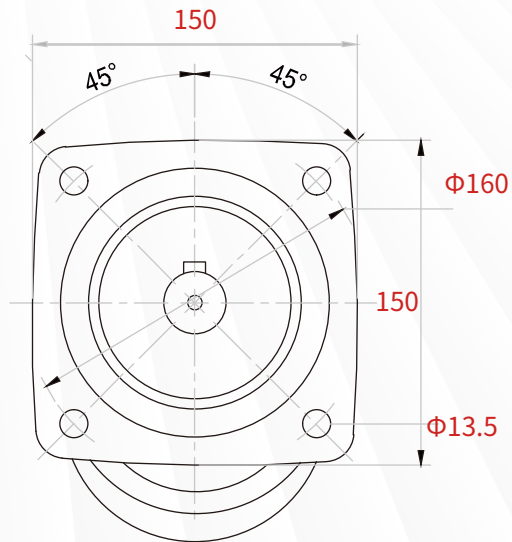
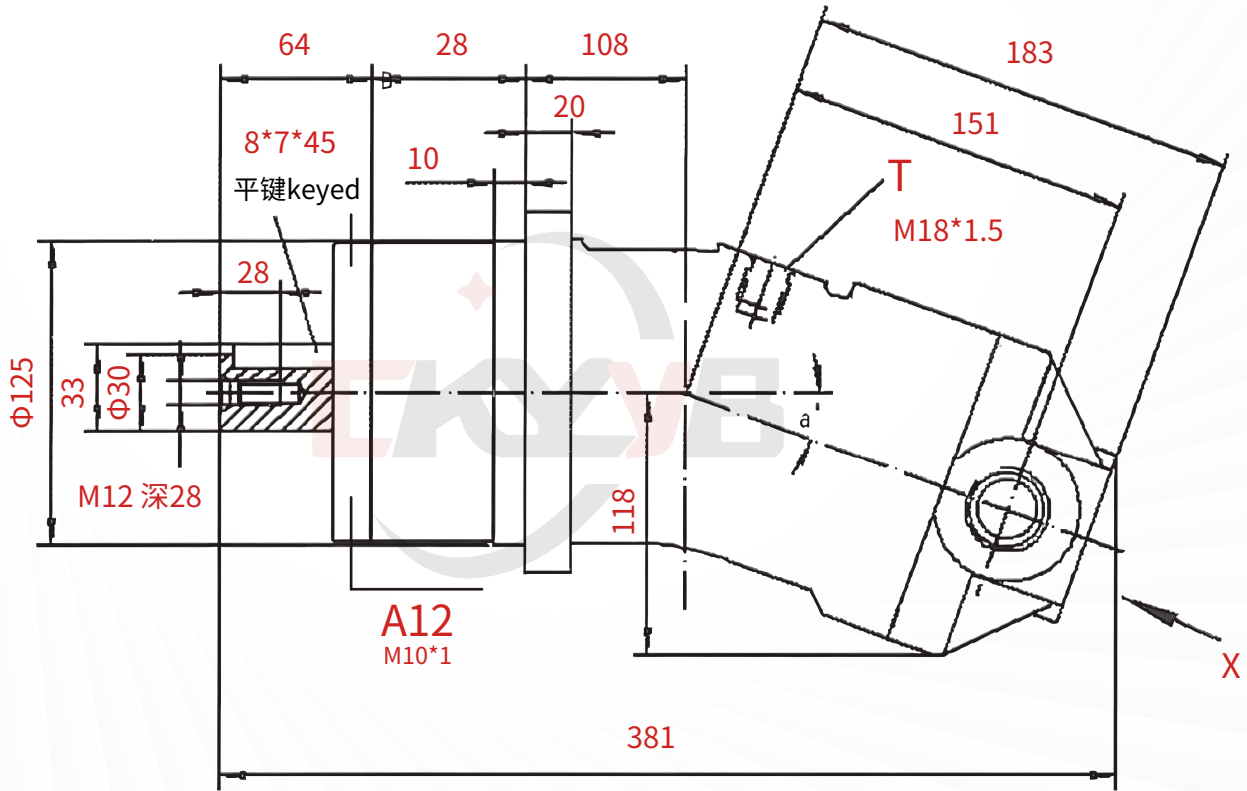
Dimensions of A2FK-23/28



| 名称 | 油口用途 | | 规格 |
|-----|-------------|-------------------------------------|---------|
| A | 工作管路 (高压出口) | Working Line (High Pressure Outlet) | M27*2 |
| S | 吸油 (进料口) | Suction (Inlet) | M42*2 |
| T | 壳体泄油 | Case Drain | M16*1.5 |
| A12 | 稀释注口 | Diluted Inject | M10*1 |

A2FK-55外形尺寸

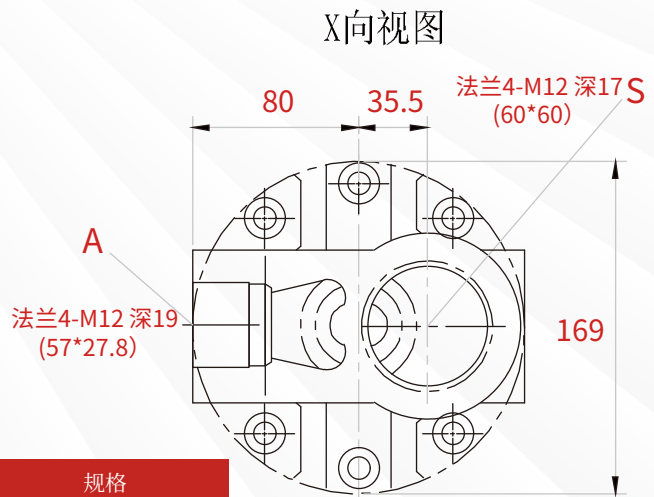
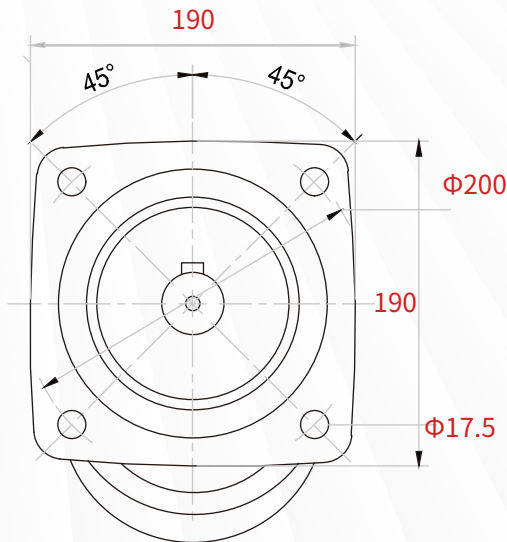
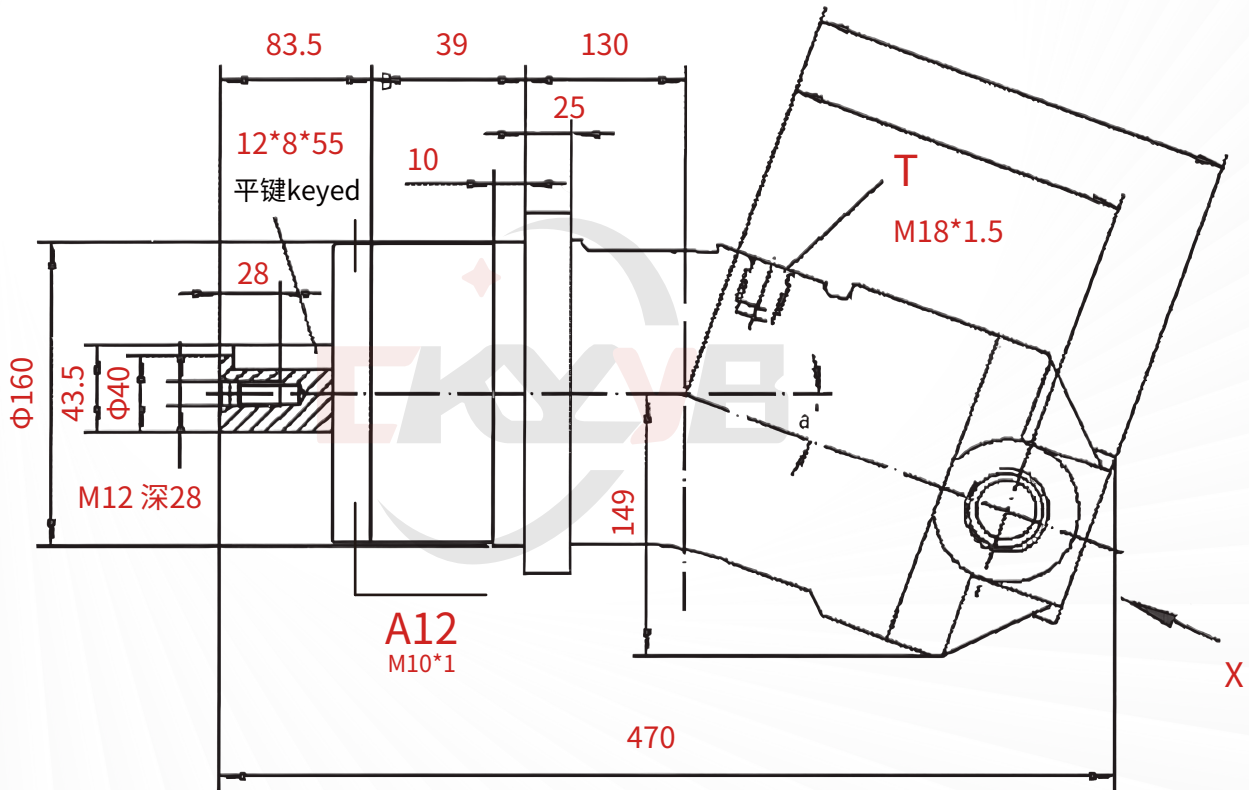
Dimensions of A2FK-55



| 名称 | 油口用途 | | 规格 |
|-----|-------------|----------------------------------------|----------------------------|
| A | 工作管路 (高压出口) | Working Line (High Pressure Outlet) | 法兰 4-M10 深17(50.8*23.8) |
| S | 吸油 (进料口) | Suction (Inlet) | 法兰 4-M10 深17(48*48) |
| T | 壳体泄油 | Case Drain | M18*1.5 |
| A12 | 稀释注口 | Diluted Inject | M10*1 |

A2FK-107外形尺寸

Dimensions of A2FK-107



| 名称 | 油口用途 | | 规格 |
|-----|-------------|----------------------------------------|----------------------------|
| A | 工作管路 (高压出口) | Working Line (High Pressure Outlet) | 法兰 4-M12 深19(57.1*27.8) |
| S | 吸油 (进料口) | Suction (Inlet) | 法兰 4-M12 深17(60*60) |
| T | 壳体泄油 | Case Drain | M18*1.5 |
| A12 | 稀释注口 | Diluted Inject | M10*1 |

A7VK 系列斜轴式轴向柱塞变量泵

Axial piston variable pump- A7VK

A7VK 系列斜轴式轴向柱塞变量泵采用紧凑设计, 体积小、噪音小、计量准, 安装法兰、传动轴和功能与A2VK相同, 易于替换。适用于粒度较高的介质(如油脂类和聚氨酯介质)。

通过特殊的表面处理提高防腐蚀效果。

利用精准显示和夹具进行手动调节。

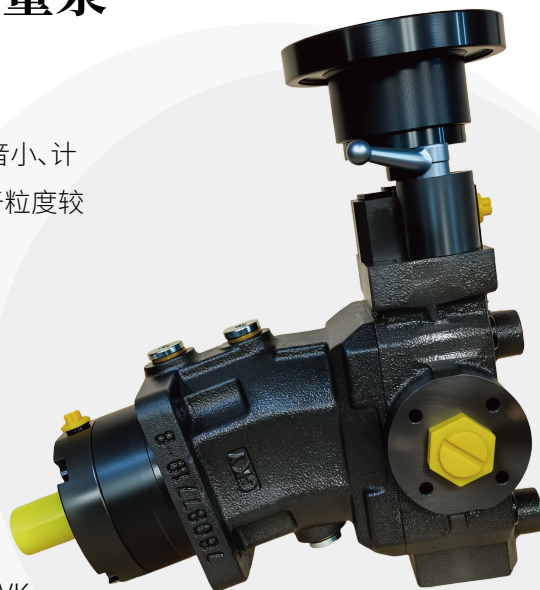
通过采用轴向锥形柱塞技术的耐用旋转组件提高容积效率。

The A7VK series bent-axis variable displacement pumps feature a compact design, offering small dimensions, low noise levels, and precise metering. Their mounting flange, drive shaft, and functionality are identical to the A2VK series, facilitating straightforward replacement. These pumps are suitable for high-viscosity media (such as grease-like substances and polyurethane media).

Enhanced corrosion resistance is achieved through specialized surface treatments.

Manual adjustment is performed using a precision display and clamping fixture.

Volumetric efficiency is increased by a durable rotating group utilizing axial tapered-piston technology.



技术参数 Technical Parameters

| 规格 Specification | | A7VK-12 | A7VK-28 |
|----------------------------------------------------------|------------------------------|---------|---------|
| 理论排量 cm ³ /r Displacement | | 11.6 | 28.1 |
| 转速 r/min Rotational Speed | 额定 n _N Rated | 1450 | 1450 |
| | 最高 n _N Maximum | — | — |
| 压力 MPa Pressure | 额定 P _N Rated | 25 | 25 |
| | 最高 P _N Maximum | 31.5 | 31.5 |
| 输入功率 (kW) n=1450r/min P=P _N Input Power | | 5.5 | 11 |
| 质量 kg Mass | (手动控制) (Manual Control) | 11.8 | 22.2 |

A7VK 系列斜轴式轴向柱塞变量泵

Axial piston variable pump- A7VK

型号说明 Demonstration Of The Type

A7V K 12 MA H R P F 0 0 S02

泵类型
Pump Type

斜轴式变量泵
Bent Axis Variable Pump

介质
Hydraulic Fluids

较高粘度介质
High Viscosity Fluids

规格
Specification

公称排量
Nominal Capacity

12 28

控制方式
Control Mode

手动控制
Manual Operated

MA

进油方式
Oil Feed Mode

后盖内进油
Oil inside the rear lid

H

(自吸)
(Self-suck)

防腐蚀型号
Corrosion-resistant model

标准版本
Standard Version

溢流阀不带标准
Overload valve without standard

氟橡胶
Fluororubber

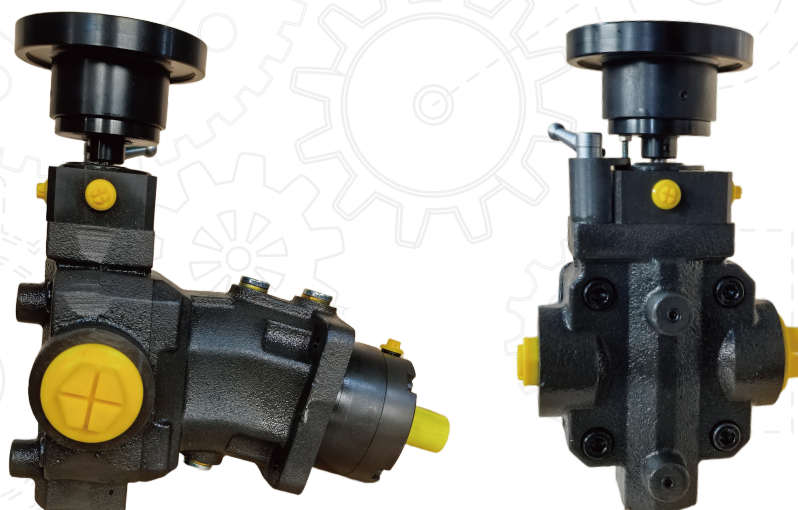
输出轴形式
Output Shaft Model

平键
Parallel Key

P

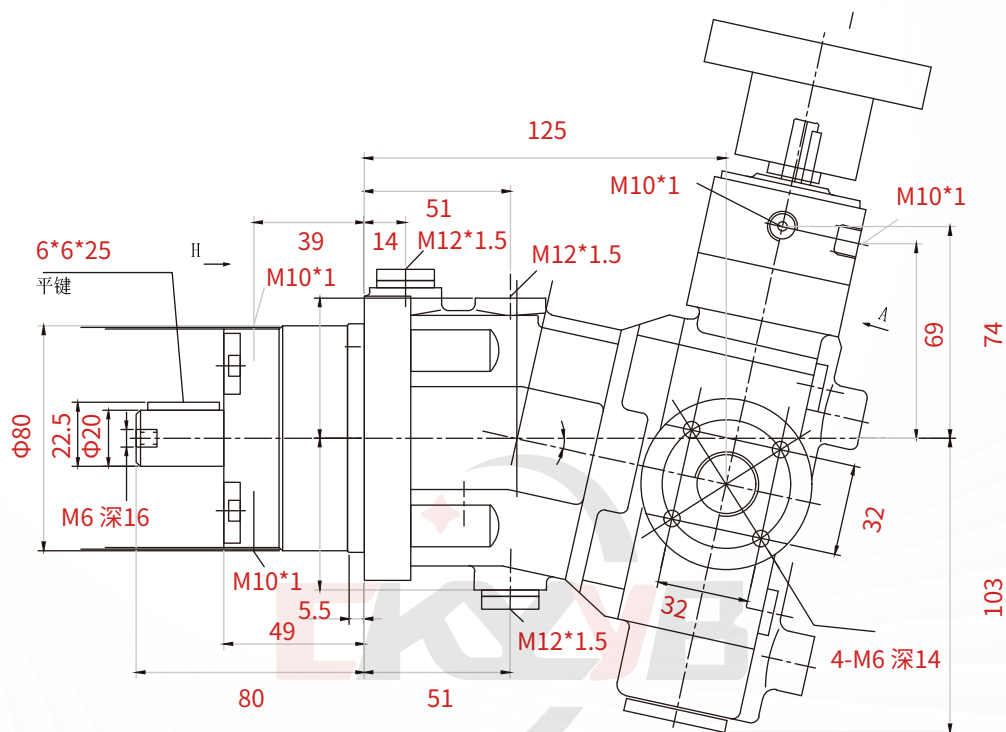
旋转方向
Rotation Direction

输出轴形式
Clockwise

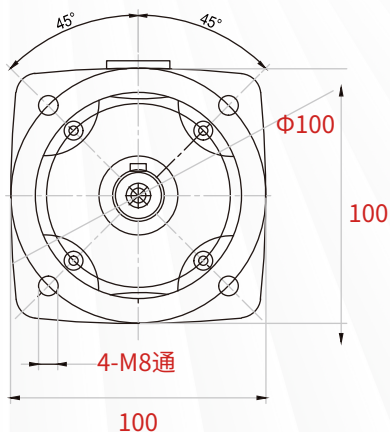


A7VK-12外形尺寸

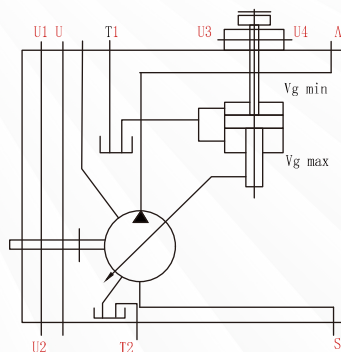
Dimensions of A7VK-12



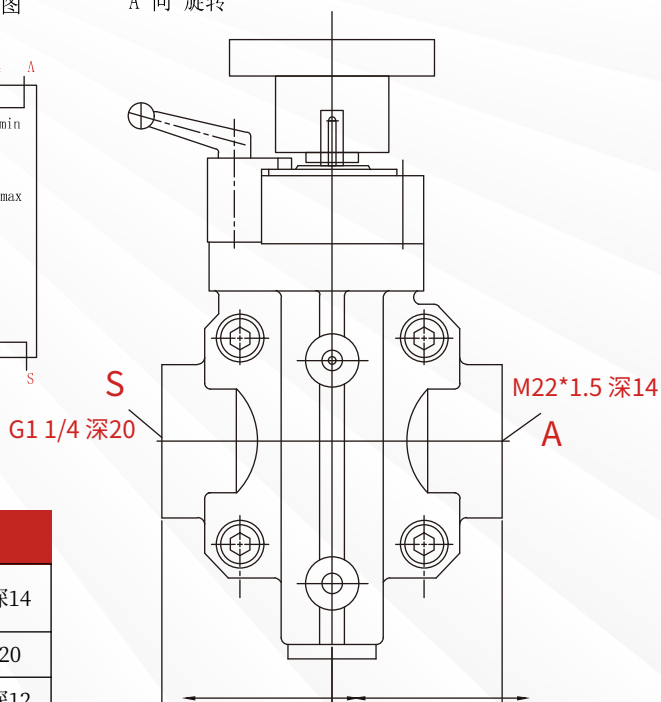
H 向



开式设计：顺（逆）时针油路图



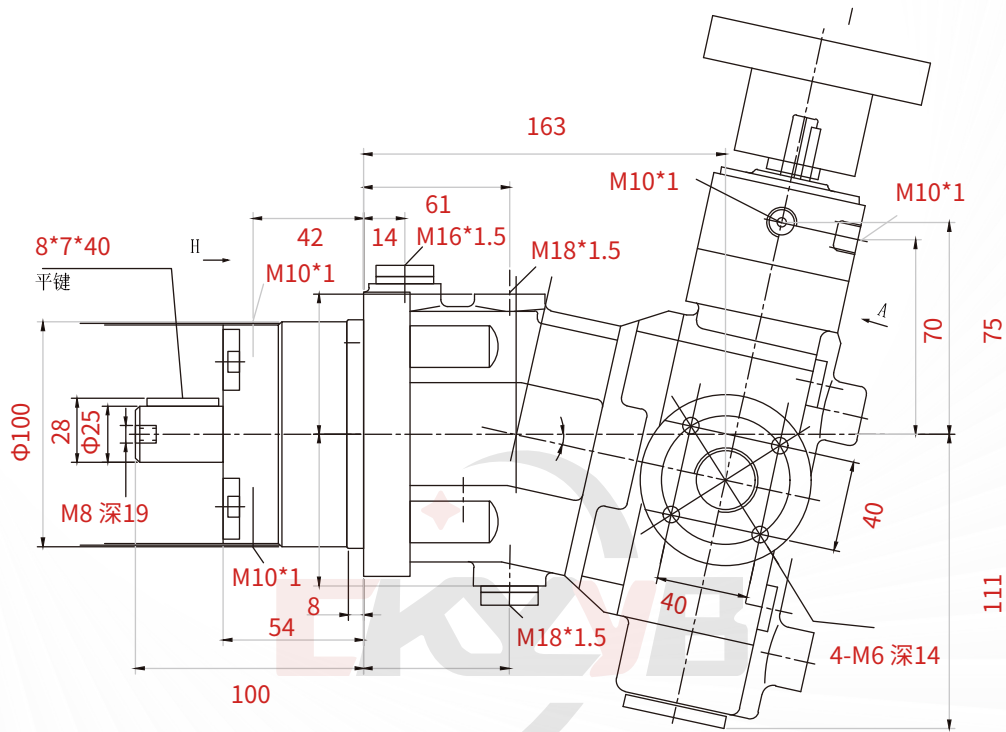
A 向旋转



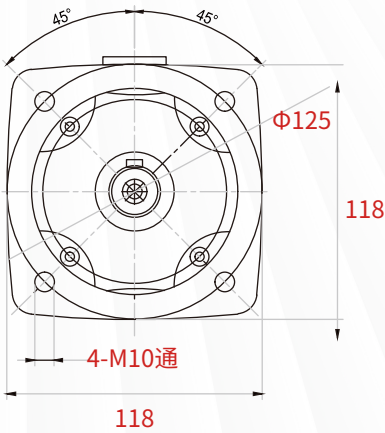
| 名称 | 油口用途 | 规格 |
|-------|------------|-------------------------------------------------|
| A | 工作管路（高压出口） | Working Line (High Pressure Outlet) M22*1.5 深14 |
| S | 吸油（进料口） | Suction (Inlet) G1 1/4 深20 |
| T1 T2 | 壳体泄油 | Case Drain M12*1.5 深12 |
| U | 轴承冲洗 | Bearing Flush M12*1.5 深12 |
| U1 U2 | 密封液 | Seal Fluid M10*1 深8 |
| U3 U4 | 密封液 | Seal Fluid M10*1 深8 |

A7VK-28外形尺寸

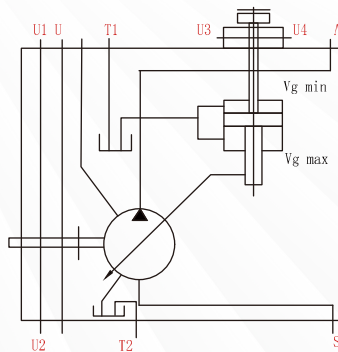
Dimensions of A7VK-28



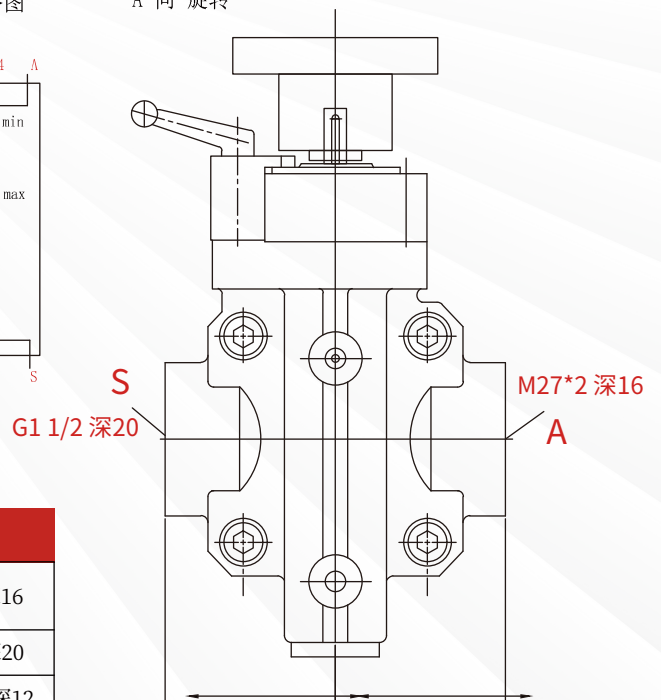
H 向



开式设计：顺（逆）时针油路图



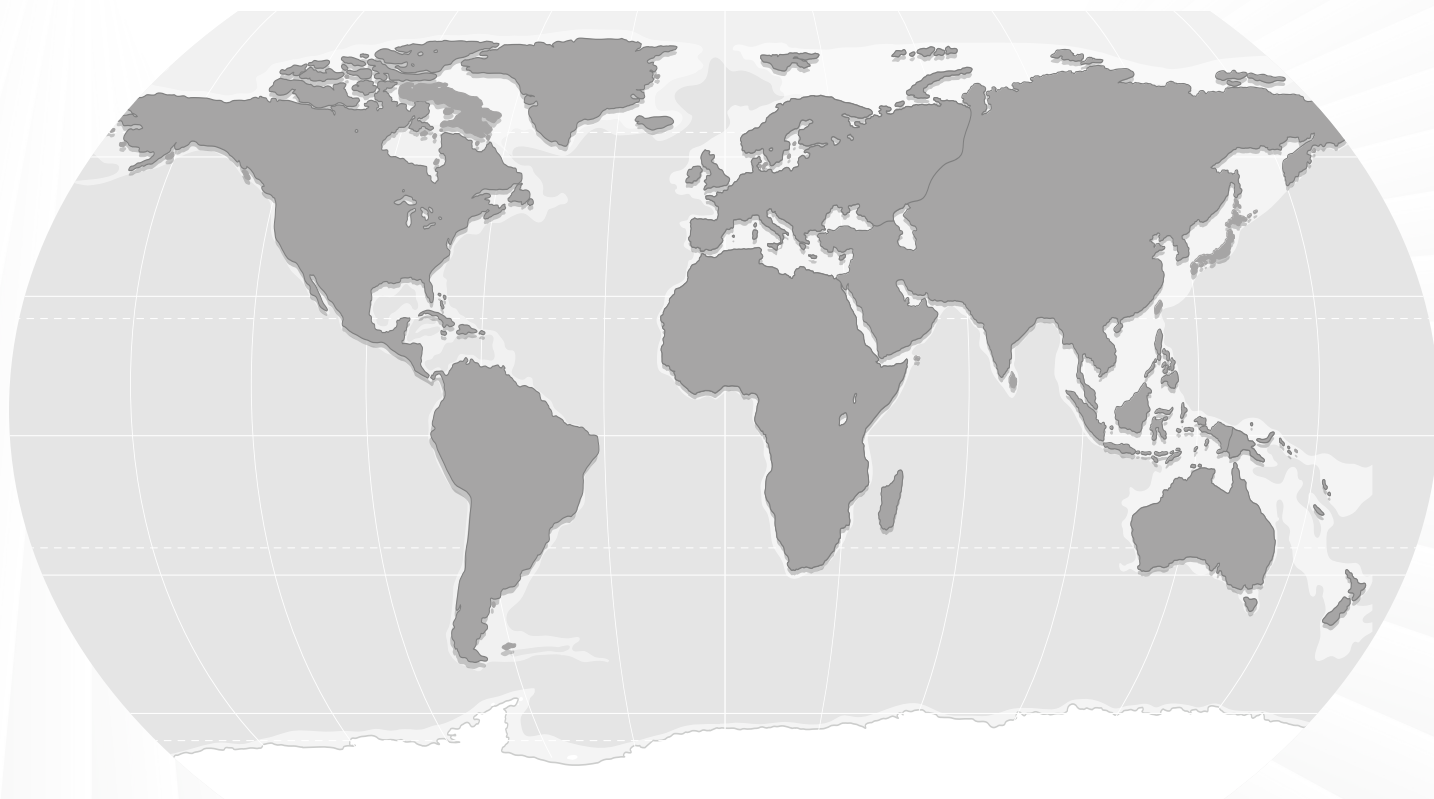
A 向旋转



| 名称 | 油口用途 | | 规格 |
|-------|------------|----------------------------------------|-------------|
| A | 工作管路（高压出口） | Working Line (High Pressure Outlet) | M27*2 深16 |
| S | 吸油（进料口） | Suction (Inlet) | G1 1/2 深20 |
| T1 T2 | 壳体泄油 | Case Drain | M18*1.5 深12 |
| U | 轴承冲洗 | Bearing Flush | M16*1.5 深12 |
| U1 U2 | 密封液 | Seal Fluid | M10*1 深8 |
| U3 U4 | 密封液 | Seal Fluid | M10*1 深8 |

热忱欢迎国内外新老用户来函来人洽谈

We warmly welcome new and old customers from home and abroad
to contact us for negotiations



地址:上海市奉贤区四团镇彭平公路697号

Add: 697 Pengping Road, Situan Town, Fengxian District, Shanghai

邮编Post Code: 201413 电话Tell: +86-21-58076009

销售Sale: +86-21-58076505 传真Fax: +86-21-58076077

手机M/P: 13801772641 13391133025 国内邮箱: liuaibiao@163.com (Domestic sales)

外贸电话: 13641697252 外贸邮箱: mysunlyq@hotmail.com (International sales)

网址web: www.chike-pump.com www.pn-yyb.com